

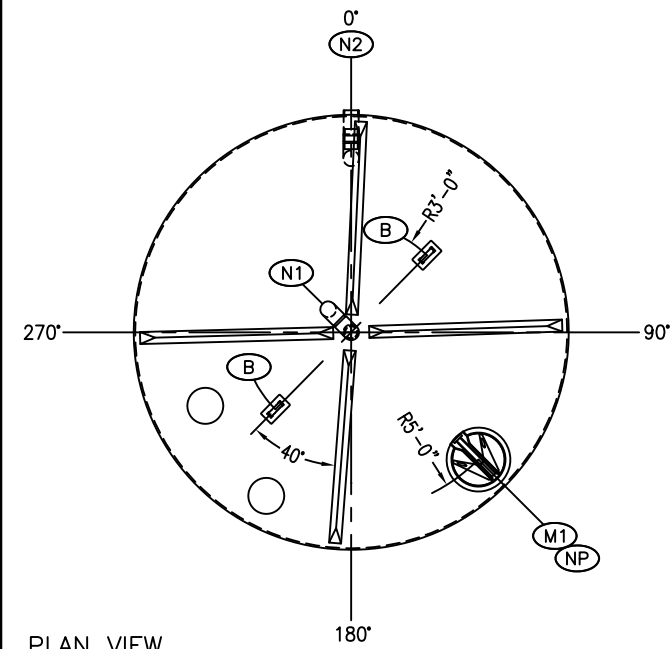


Vertical FRP Tank

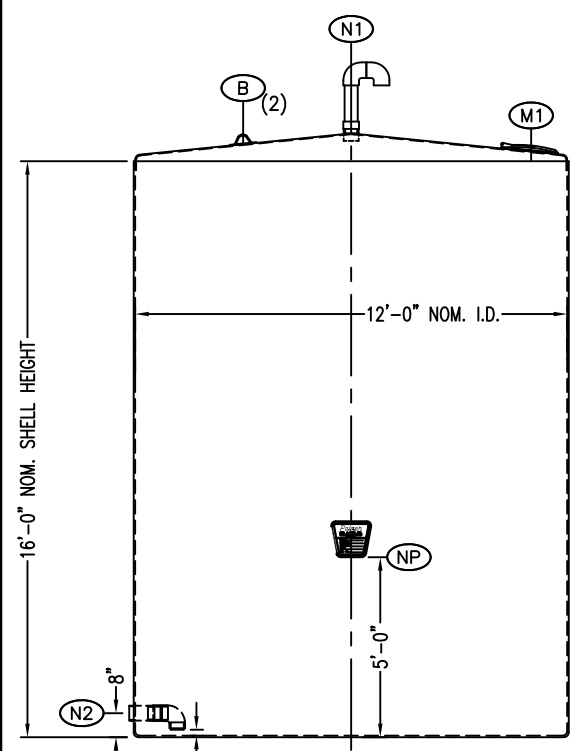
Storage Capacity 25,380 Gallons

Tank Size 12' Diameter x 16' Straight Shell

Contact our Sales Department for Pricing

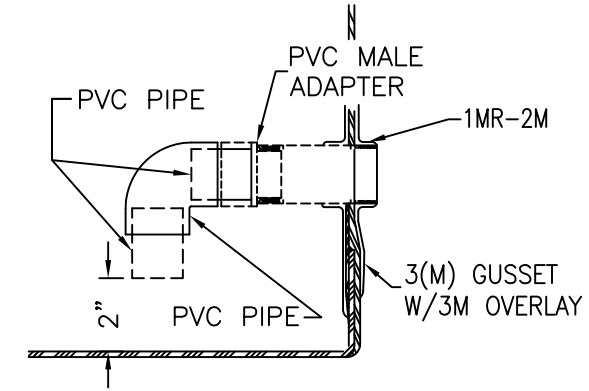


PLAN VIEW
(TRUE ORIENTATION)

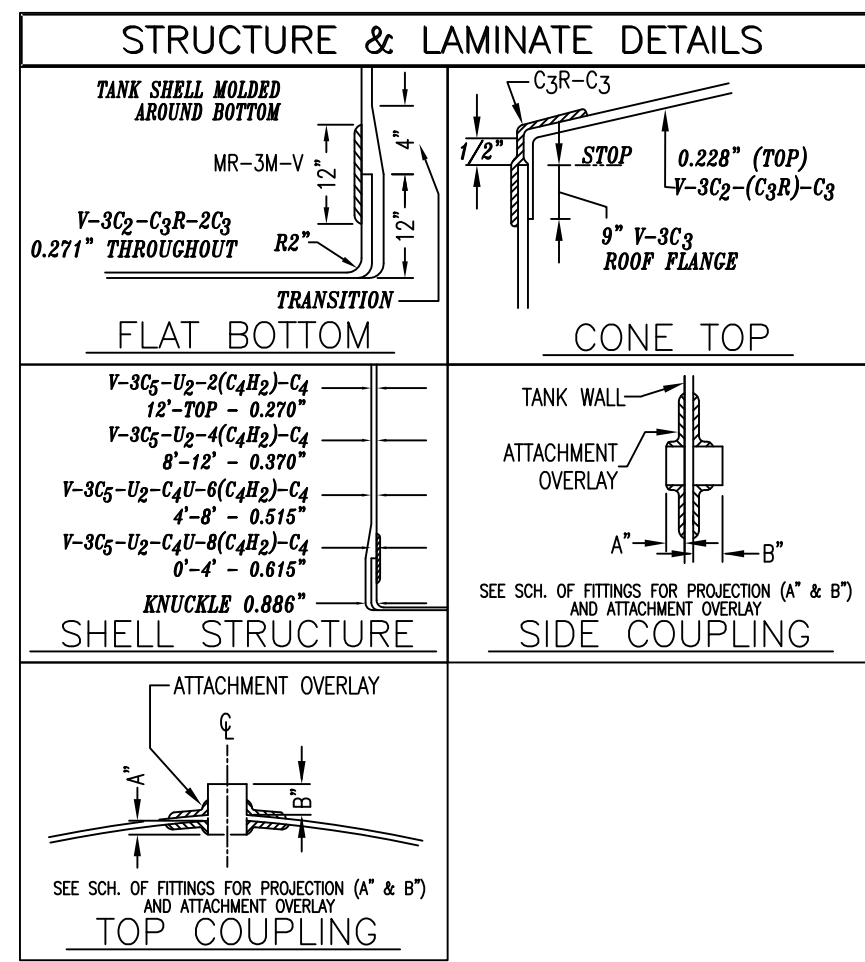


ELEVATION VIEW
(NOT TRUE ORIENTATION)

NOTE: ALL PIECES ARE 4" DIAMETER



PVC SIPHON DETAIL (N2)
NTS



BILL OF MATERIALS									
QUAL CHK.	SYM.	PALMER INVENTORY	QTY.	DESCRIPTION	NOTES/MODEL NO.	ATTACHMENT OVERLAY		MATERIAL	
						OUTSIDE	INSIDE		
			1	FLAT BOTTOM: 12' I.D.				ORTHO/ORTHO	
			1	CONE TOP: 12' I.D.				ORTHO/ORTHO	
			1	SHELL: 12' I.D.				ORTHO/ORTHO	
NP		338526	1	LARGE WRITE IN DECAL			2M	VINYL	
B		338449	4	PALMER #1 LIFT EYE			2F-M	C.S. GALVANIZED	
		342279	1	4" THREADED J-VENT				PVC	
		338572	1	4" SCH 40 MALE ADAPTER				PVC	
		338458	1	4" SCH 40 90 DEG ELBOW				PVC	
		338402	1	4" x 2 1/2" SCH 40 PIPE	ASSEMBLED SIPHON INSTALLED			PVC	

SCHEDULE OF FITTINGS											
QUAL CHK.	SYM.	PALMER INVENTORY	QTY.	DESCRIPTION	SERVICE	PROJECTION		ATTACHMENT OVERLAY			MATERIAL
						OUTSIDE-B	INSIDE-A	OUTSIDE	INSIDE	REPAD	
M1		338779	1	18" ROAD WARRIOR MANWAY	ACCESS				RIVETED		POLYPROPYLENE
N1		338317	1	4" SPIGOT X FEMALE/J-VENT	VENT	1 1/2"	A/R	1MR-2M	3M-V		VINYL ESTER
N2		338330	1	4" FEMALE x FEMALE/SIPHON	INLET/OUTLET	1 1/2"	A/R	1MR-2M	3M-V		VINYL ESTER

- NOTES:
- STRUCTURAL LAYER ANALYSIS:
MINIMUM KNUCKLE RADIUS = 2"
C₁ = CHOP 27% E GLASS REINFORCEMENT 0.010"
C₂ = CHOP 27% E GLASS REINFORCEMENT 0.033"
C₃ = CHOP 27% E GLASS REINFORCEMENT 0.043"
C₄ = CHOP 33.8% E GLASS REINFORCEMENT 0.025"
C₅ = CHOP 30.6% E GLASS REINFORCEMENT 0.020"
C_M = COREMAT 0.157"
F = FABMAT (1.5oz MAT & 24oz ROVING) 0.076"
H = HOOP WOUND 50% E GLASS REINFORCEMENT 0.023"
H₂ = CHOP 67.8% E GLASS REINFORCEMENT 0.025"
M = 1.5oz RANDOM STRAND MAT 0.043"
N = NEXUS VEIL 0.010"
P = 3D FABRIC 0.1875"
Q = INTERSTITIAL HONEYCOMB 0.750"
R = 24oz WOVEN ROVING 0.033"
U = UNIGLASS 0.023"
U₂ = CHOP 62.1% E GLASS REINFORCEMENT 0.020"
V_C = CARBON-VEIL 0.010"
V = C-VEIL 0.010"
 - TANK EXTERIOR TO BE PIGMENTED: NO PAINT
 - TANK TO BE HYDROSTATIC TESTED BY FILLING WITH WATER FOR 2 HOURS.
 - ALL DIMENSIONS SHOWN AS NOMINAL (NOM.) ARE ±1/2".
 - TANK CONTAINS 1%-3% RENFIL (NOT USED AS A FILLER) TO RESIN RATIO BY WEIGHT TO REDUCE STYRENE EMISSIONS.

APPROVED FOR PRODUCTION: _____
DATE: _____

DESIGN CONDITIONS	MATERIAL CONSTRUCTION
PRESSURE: ATMOSPHERIC	LINER RESIN: ORTHO
TEMPERATURE: AMBIENT	LINER CURE: COBALT/DMA/MEKP
CONTENTS: TEST TANK	LINER MATERIAL: C-VEIL
S.G. OR LBS/GAL. 1.0 / 8.35# (MAX)	STRUCTURE RESIN: ORTHO
EMPTY WEIGHT: 1,500 LBS NOM.	STRUCTURE CURE: COBALT/DMA/MEKP
CAPACITY: 13,530 GAL. (NOM)	STRUCTURE MATERIAL: E GLASS
WIND VELOCITY: N/A	UV INHIBITOR: TINUVEN
SEISMIC ZONE: S ₅ =N/A / S ₁ =N/A	MFG. SPEC: CUSTOM
SCALE: 3/16"=1'-0"	DATE: 11/24/14
CHKD. BY: CF	DWN. BY: TGF

Palmer MFG. & TANK, INC.
GARDEN CITY, KANSAS.

TEST TANK	SALES ORDER #:	
	SERIAL #:	947585
	PART NUMBER:	347130
	DRAWING NUMBER:	347130-1
	REV:	-
	REV:	A

DWG.	DATE	CHKD. BY	DWN. BY

12'-0" ø x 16'-0" HEIGHT
FIBERGLASS STORAGE TANK