

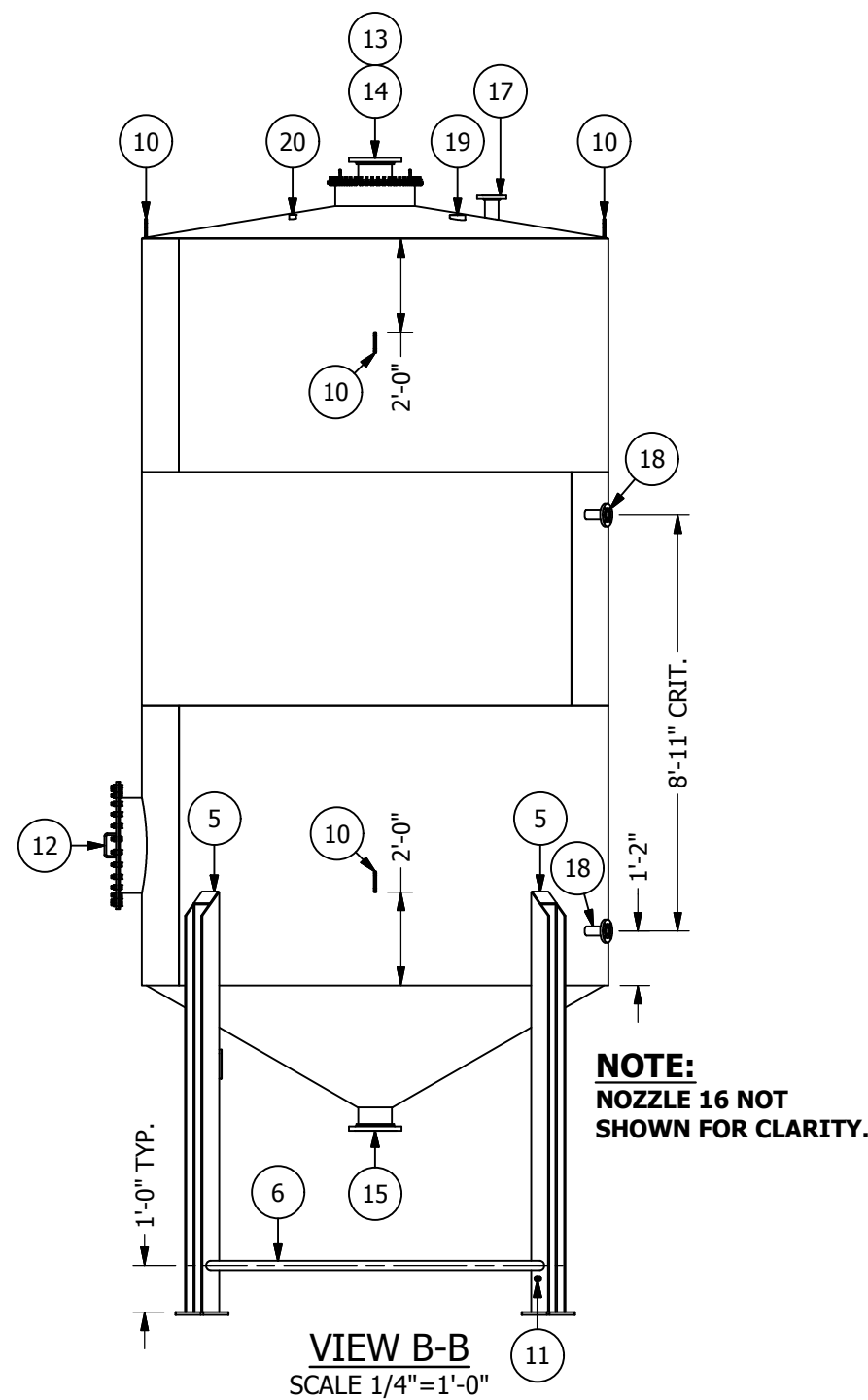
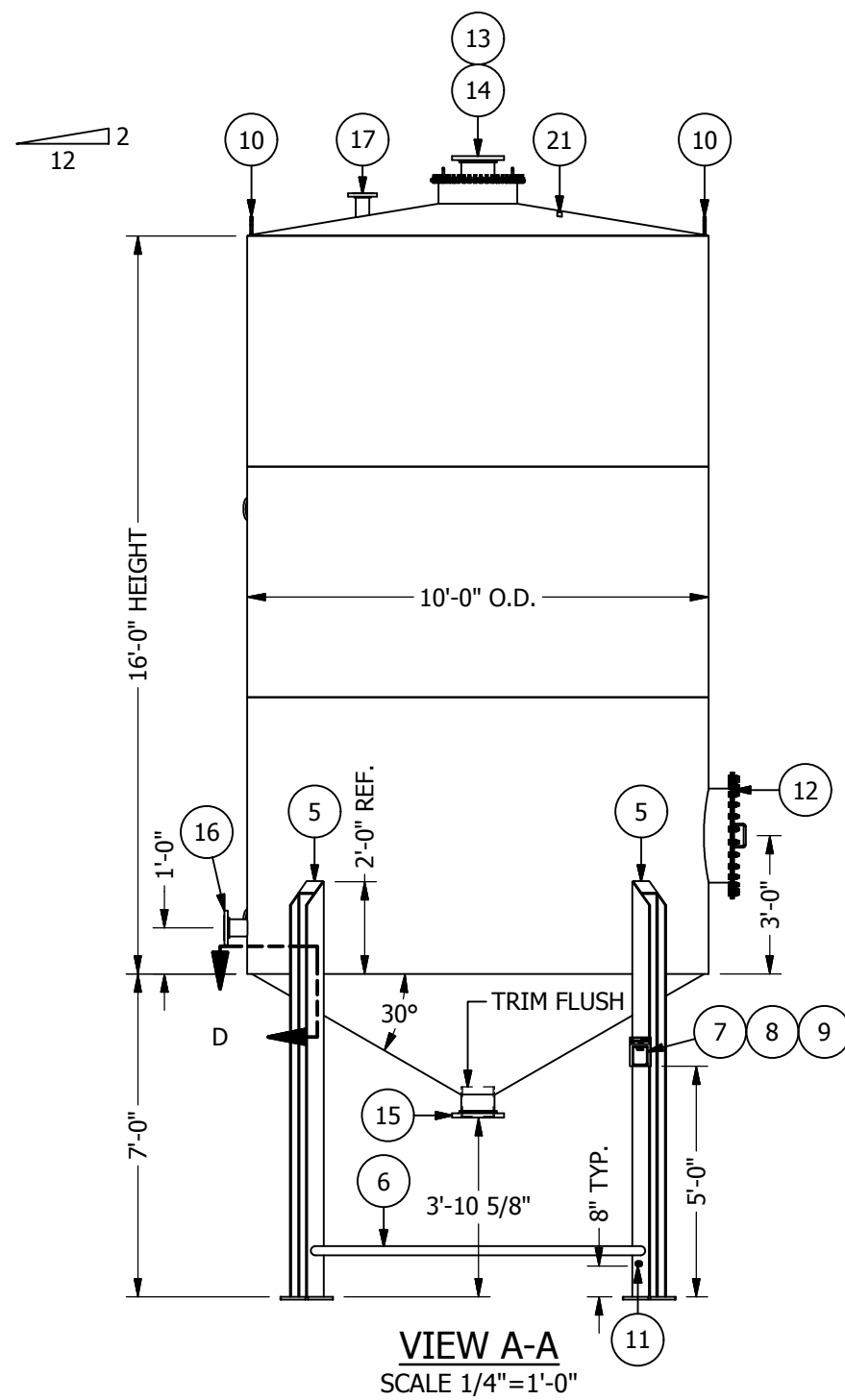
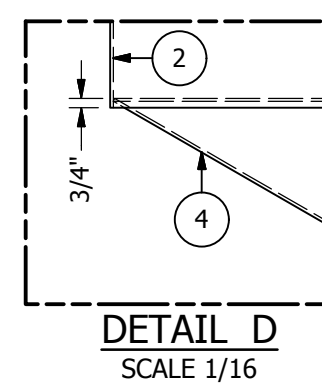
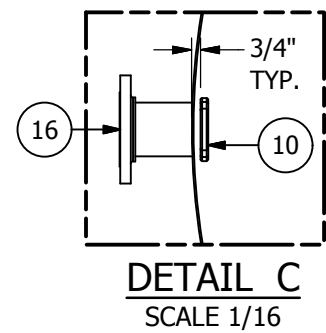
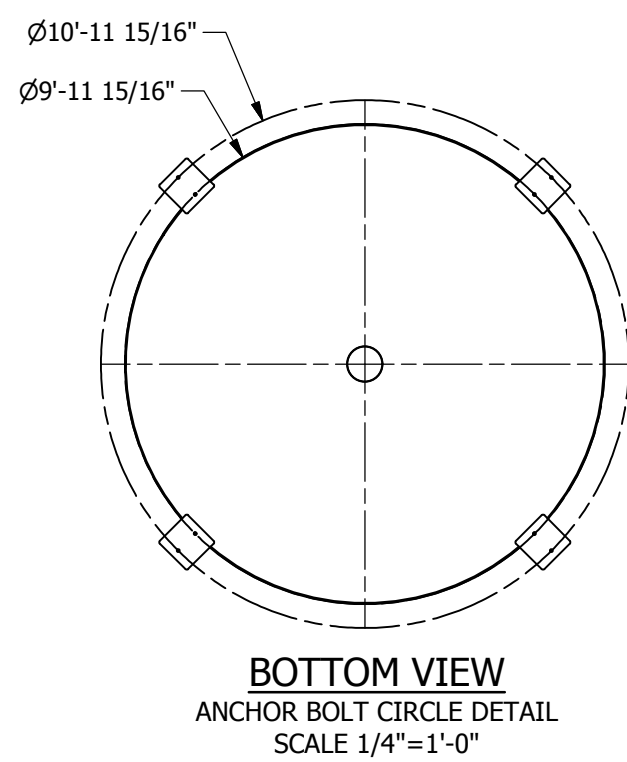
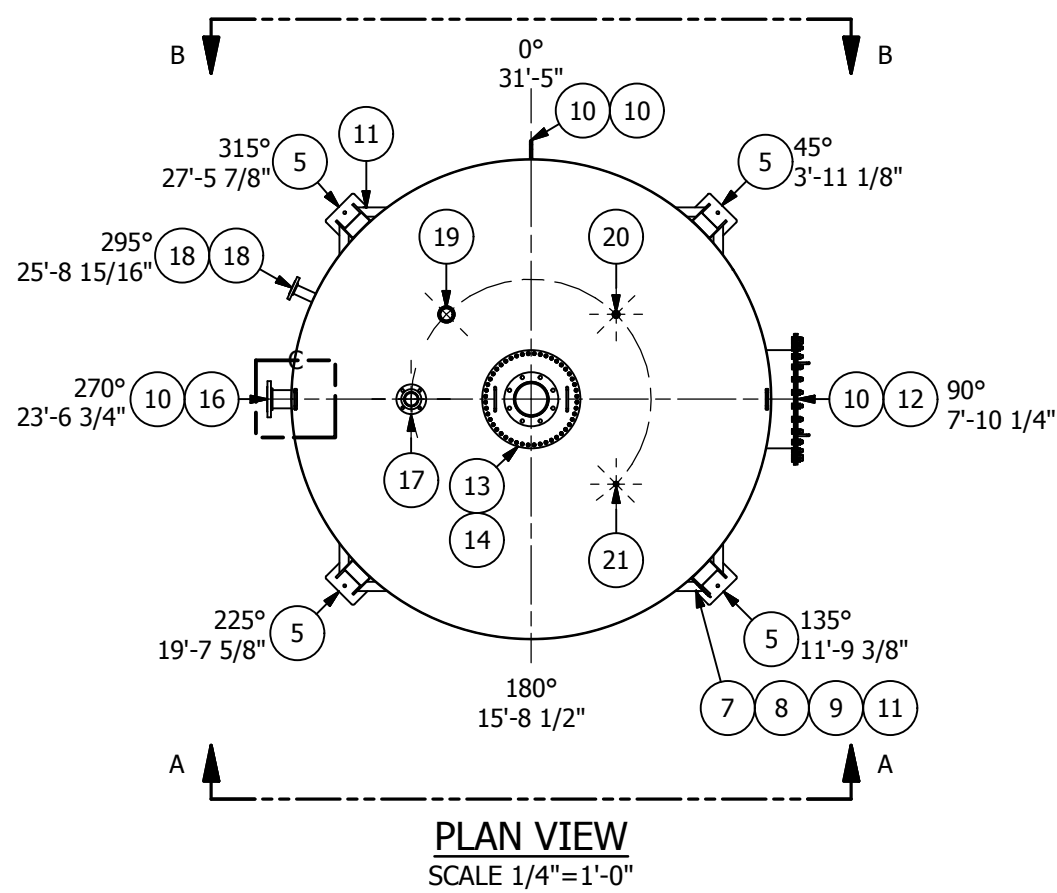


UL-142 Vertical Steel Cone Bottom Storage Tank

Storage Capacity 9,800 Gallons

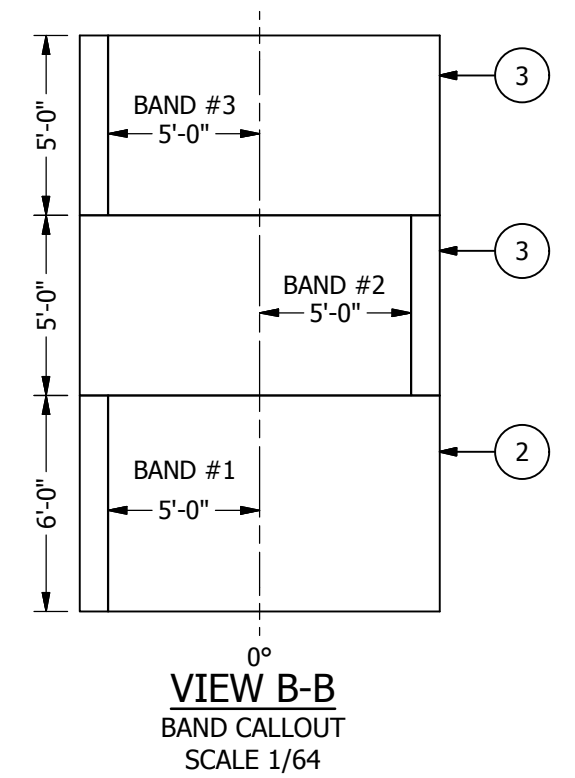
Tank Size 10' Diameter x 16' Straight Shell on Legs

Contact our Sales Department for Pricing



PARTS LIST							
ITEM	QTY	PART#	SHT#	DESCRIPTION	SERVICE	PROJ.	MATERIAL
1	1	341180		TOP, 10'-0" D. X 3/16" THK. (10'-1 1/4" F.L.O.)			SA-36
2	1	340204		BAND, 10'-0" D. X 6'-0" H. X 1/4" THK. (31'-4 1/16" S.C.L.)			SA-36
3	2	339024		BAND, 10'-0" D. X 5'-0" H. X 3/16" THK. (31'-4 5/16" S.C.L.)			SA-36
4	1	339689		CONE BOTTOM, 30 DEG., 9'-11 1/2" D. X 1/4" THK. (11'-5 13/16" F.L.O.)			SA-36
5	4		4	LEG ASSEMBLY			CARBON STEEL
6	4		5	LEG SUPPORT			SA-106 GR B
7	1	338215		NAMEPLATE, D.W.			ALUMINUM
8	1	339791		UL LABEL, ABOVEGROUND SINGLEWALL			BRASS
9	1	338337		BRACKET, UL NAMEPLATE			SA-36
10	4	338382		LIFTEYE, PHOENIX FORGE MEDIUM			SA-105
11	2	338155		GROUNDING LUG			CARBON STEEL

SCHEDULE OF FITTINGS							
ITEM	QTY	PART#	SHT#	DESCRIPTION	SERVICE	PROJ.	MATERIAL
12	1		7	MANWAY, 24" STANDARD SHELL	ACCESS	6"	VARIOUS
13	1		8	MANWAY, 20" STANDARD TOP	VENT	6"	VARIOUS
14	1		9	FLANGE, 8" 150# FFSO W/ PIPE, SCH 40 SMLS	E-VENT	6"	CARBON STEEL
15	1	340173		FLANGE, 8" 150# RFSO W/ PIPE, SCH 40 SMLS	OUTLET	6"	CARBON STEEL
16	1	339104		FLANGE, 4" 150# RFSO W/ PIPE, SCH 40 SMLS	FILL	6"	CARBON STEEL
17	1	338749		FLANGE, 3" 150# RFSO W/ PIPE, SCH 40 SMLS	RADAR LEVEL SENSOR	6"	CARBON STEEL
18	2	338807		FLANGE, 2" 150# RFSO W/ PIPE, SCH 40 SMLS	SIGHT GAUGE	6"	CARBON STEEL
19	1	338604		COUPLING, 3" MERCHANT	PRESSURE VACUUM VENT	1"	SA-105
20	1	338821		COUPLING, 1" 3M	PILOT BLANKETING VALVE LINE	1"	SA-105
21	1	342262		COUPLING, 1/2" 3M	PILOT BLANKETING SENSOR LINE	1"	SA-105

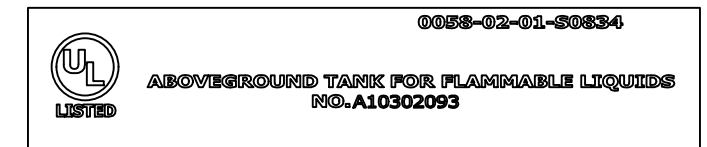


NOTES:

- THE TANK IS TO BE POSITIVELY VENTED TO THE ATMOSPHERE AT ALL TIMES. IT IS THE RESPONSIBILITY OF THE CUSTOMER TO DETERMINE THE PROPER SIZE OF VENT TO PREVENT THE TANK FROM BEING OVER PRESSURIZED DURING FILLING AND TO PREVENT THE TANK FROM COLLAPSING DURING REMOVAL OF THE PRODUCT.
- ALL OPENINGS, INCLUDING FACE OF FLANGES, CONDUIT ENTRANCES, THREADED OPENINGS, & MECHANICAL SURFACES SHALL BE PLUGGED OR COVERED TO PROPERLY PROTECT FROM DAMAGE AND TO KEEP CONNECTIONS & INTERNALS CLEAN & DRY DURING STORAGE & SHIPPING.
- THE ANCHOR BOLT CIRCLE IS APPROX. SEE BOTTOM VIEW DETAIL. THIS DIMENSION IS ± 1% DUE TO MANUFACTURING VARIABLES. WE RECOMMEND THAT THE ANCHOR BOLTS NOT BE SET UNTIL AFTER TANK DELIVERY. ANCHOR BOLTS ARE TO BE PROVIDED BY CUSTOMER OR BY THE CONTRACTING ENTITY.
- FLANGES INSTALLED IN THE SHELL WILL BE INSTALLED W/BOLT HOLES STRADDLING THE TANKS VERTICAL OR HORIZONTAL CENTER LINE. FLANGES INSTALLED IN THE HEADS WILL BE INSTALLED W/BOLT HOLES STRADDLING THE 0°-180° & 90°-270° CENTER LINES.
- FACTORY TEST TANK FOR LEAKS WITH LEAK TEST BY AIR PRESSURE. APPLY AIR PRESSURE IN TANK TO 1 1/2 PSI. HOLD PRESSURE AND APPLY SEAM TEST SOLUTION TO EACH WELD TO ASSURE NO LEAKS ARE PRESENT.
- ALL DIMENSIONS SHOWN AS NOMINAL (NOM) ARE ± 1-1/2%. ALL OTHER DIMENSIONS ARE ± 1/8" UNLESS OTHERWISE NOTED.
- BASE THICKNESS IS **NOT** INCLUDED IN NOZZLE AND OVERALL HEIGHT DIMENSIONS.

COATINGS:

- INTERIOR:**
INTERIOR TANK SURFACES SHALL BE CLEANED FREE OF RUST, SLAG, & ALL OTHER FOREIGN MATTER.
- EXTERIOR:**
SHELL, TOP, CONE BOTTOM & LEGS:
CLEAN SURFACE FREE OF RUST, SLAG, & ALL FOREIGN MATTER.
SSPC-SP6/NACE 3 COMMERCIAL BLAST CLEANING.
1 ct. SHERWIN WILLIAMS DURAPLATE 235 MULTI-PURPOSE EPOXY.
5.0-7.0 M.D.F.T.
COLOR: WHITE
1 ct. SHERWIN WILLIAMS ACROTON 218 HS.
3.0-6.0 M.D.F.T.
8.0-13.0 TOTAL M.D.F.T.
COLOR: WHITE
- EXTERIOR BOTTOM:**
SURFACE PREP, PRIMED SAME AS EXTERIOR SHELL. OVERCOAT WITH ASPHALT.



Palmer
MFG. & TANK INC.
BOX 1195 - 2814 WEST JONES - GARDEN CITY, KS
PHONE 620-275-7461 1-800-835-9136

TANK NAME: _____
TANK TAG NO.: _____
CONTENTS: ALCOHOL BLEND
DATE OF MFR: XX/20XX SERIAL NO.: 1130064
SIZE, DIA.: 10'-0" HEIGHT: 16'-0" LENGTH: _____
MATERIAL: SA-36 TOP THK: 3/16"
BOTTOM THK: 1/4" SHELL THK: 3/16 / 1/4"
CAPACITY GAL: 9,880 GAL. TEMP: AMBIENT S.G.: 1.0
PRESSURE (PSI): DESIGN: ATMOS. WORKING: ATMOS.
CUSTOMER/P.O.: _____

THIS TANK REQUIRES EMERGENCY RELIEF VENTING.
CAPACITY NOT LESS THAN 389.471 CUBIC FEET PER HOUR FOR INNER TANK, AND _____ CUBIC FEET PER HOUR FOR ANNULAR SPACE.

DESIGN CONDITIONS	
DESIGN PRESSURE: ATMOS.	EMPTY WEIGHT: 7,680 LBS.
DESIGN TEMP: AMBIENT	NOM. CAPACITY: 9,880 GAL.
OPERATING PRESSURE: ATMOS.	OPER. CAPACITY: _____
OPERATING TEMP: AMBIENT	RADIOGRAPHIC TEST: N/A
EXTERNAL PRES: ATMOS.	CORROSION ALLOWANCE: N/A
M.D.M.T.: N/A	SEISMIC: N/A
CONTENTS: ALCOHOL BLEND	WIND: N/A
SPECIFIC GRAVITY: 1.0	MFG SPEC: WORTHINGTON

REV	DESCRIPTION	CHK BY	DATE	DWG BY
0	RELEASED FOR PRODUCTION.	J.K.	7/26/2018	C.C.
C	CHANGE TANK # FROM 37 TO 39. CHANGED CONTENTS TO ALCOHOL BLEND.		6/18/18	J.K.
B	CUSTOMER MARK-UPS.		6/7/2018	C.C.
A	PRELIMINARY SKETCH.		4/30/2018	C.C.

WORTHINGTON INDUSTRIES	DATE: 6/8/2017
TANK NAME: CHEMICAL STORAGE TANK	DRAWN BY: C.C.
	CHECKED BY: J.K.
	SERIAL NUMBER: 1130064
	S.O. NUMBER: 2541395
	PART NUMBER: 401728
	DRAWING NUMBER: 2541395AO-1
	REV: 0