

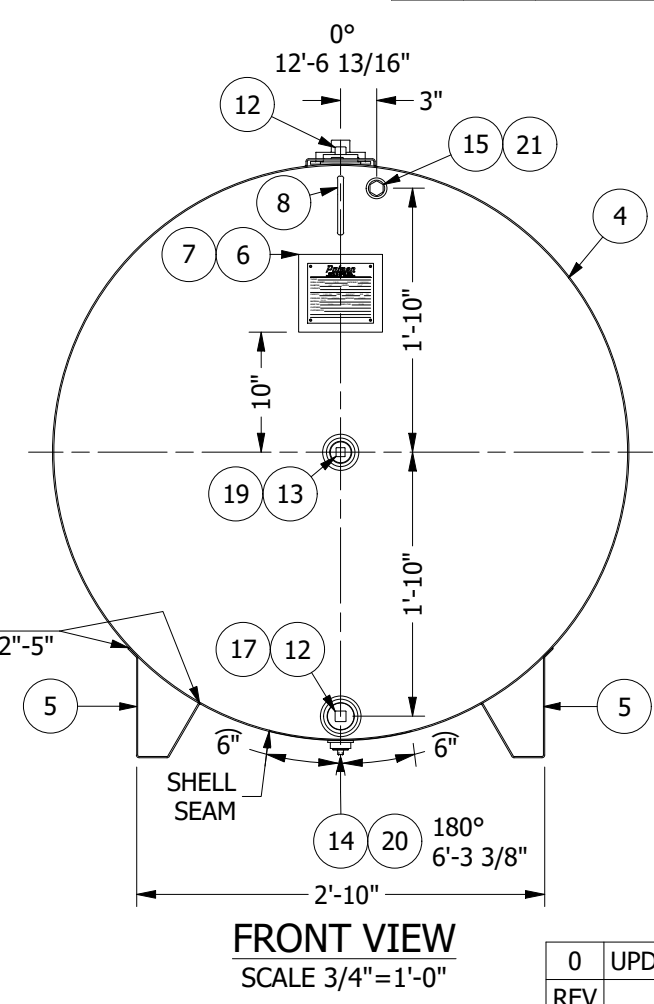
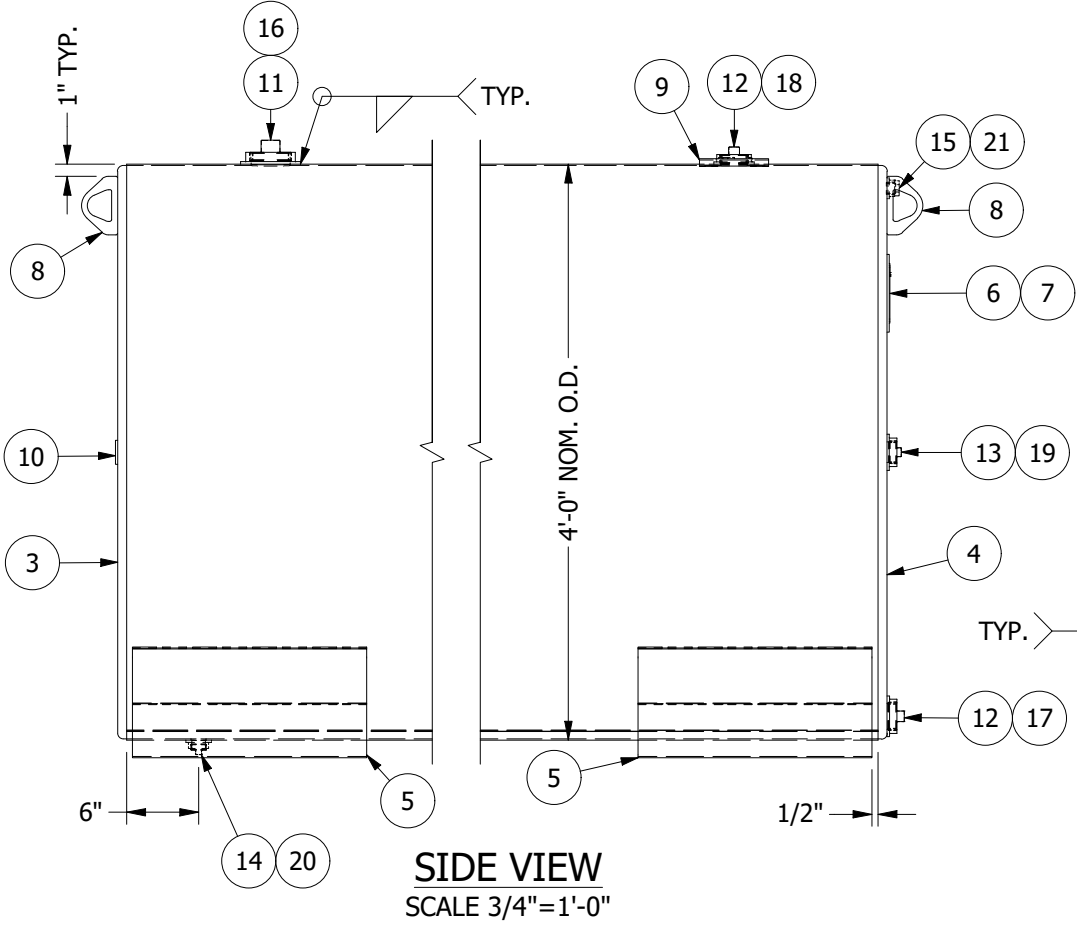
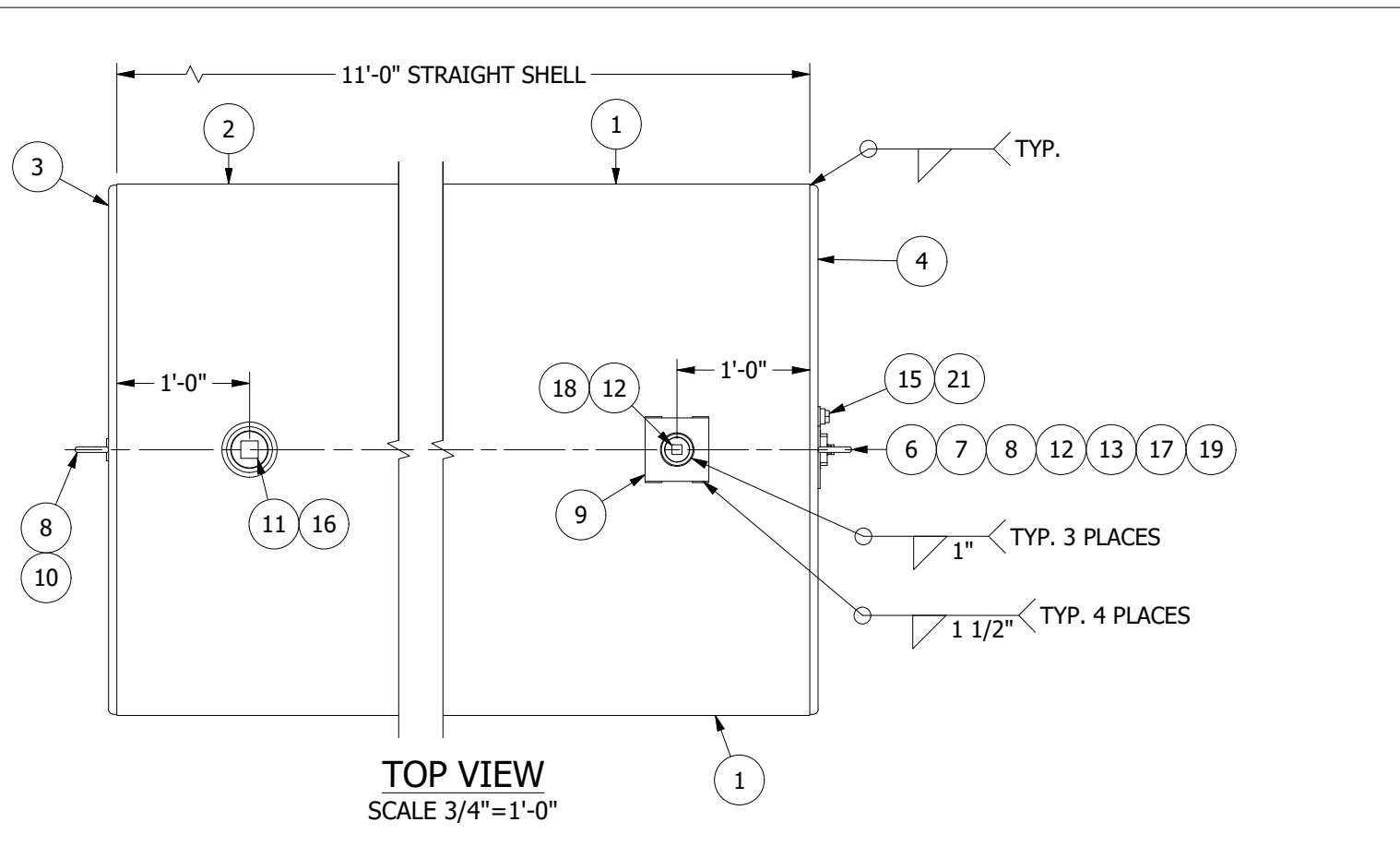


**Horizontal Tank for Fuel Storage - STSSF**

Storage Capacity 1,000 Gallons

Tank Size 4' Diameter x 11' Straight Shell

Contact our Sales Department for Pricing



PARTS LIST									
SYM	ITEM	QTY	PART#	SHT#	DESCRIPTION	SERVICE	PROJ.	MATERIAL	
	1	1			12 GA. SHELL X 6'-0" LONG (6' X 152" SHEET)			SA-36	
	2	1			12 GA. SHELL X 5'-0" LONG (5' X 152" SHEET)			SA-36	
	3	1		2	12 GA. FLANGED HEAD			SA-36	
	4	1		3	12 GA. FLANGED HEAD			SA-36	
	5	4		4	12 GA. SKID - 1'-0" LONG			SA-36	
A	6	1	338205		BRACKET, NAMEPLATE			SA-36	
	7	1	338215	5	NAMEPLATE, HORIZONTAL TANK	NAMEPLATE		ALUMINUM	
LE	8	2	338206		LIFTEYE, PHOENIX FORGE SMALL			SA-105	
	9	1		6	2" REINFORCING PUMP HEAD			SA-36	
	10	1		7	3/16" X 2" DIA. PLATE			SA-36	
	11	1	338319		PLUG, SQUARE HEAD, 3" NPT			PVC	
	12	2	338258		PLUG, SQUARE HEAD, 2" NPT			PVC	
	13	1	338276		PLUG, SQUARE HEAD, 1 1/2" NPT			PVC	
	14	1	338835		PLUG, SQUARE HEAD, 1"			MALLEABLE IRON	
	15	1	338511		PLUG, HEX HEAD, 3/4" NPT			PVC	
SCHEDULE OF FITTINGS									
SYM	ITEM	QTY	PART#	SHT#	DESCRIPTION	SERVICE	PROJ.	MATERIAL	
	16	1	338687		COUPLING, WELD-IN TANK FLANGE, 3" SERIES 110			SA-105	
	17	1	338649		COUPLING, WELD-IN TANK FLANGE, 2" SERIES 108			SA-105	
	18	1	338649		COUPLING, WELD-IN TANK FLANGE, 2" SERIES 108			SA-105	
	19	1	338642		COUPLING, WELD-IN TANK FLANGE, 1-1/2" SERIES 107			SA-105	
	20	1	339012		COUPLING, WELD-IN TANK FLANGE, 1" SERIES 105			SA-105	
	21	1	338876		COUPLING, WELD-IN TANK FLANGE, 3/4" SERIES 104			SA-105	

**NOTES:**

1. THE TANK IS TO BE POSITIVELY VENTED TO THE ATMOSPHERE AT ALL TIMES. IT IS THE RESPONSIBILITY OF THE CUSTOMER TO DETERMINE THE PROPER SIZE OF VENT TO PREVENT THE TANK FROM BEING OVER PRESSURIZED DURING FILLING AND TO PREVENT THE TANK FROM COLLAPSING DURING REMOVAL OF THE PRODUCT.
2. ALL OPENINGS, INCLUDING FACE OF FLANGES, CONDUIT ENTRANCES, THREADED OPENINGS, & MECHANICAL SURFACES SHALL BE PLUGGED OR COVERED TO PROPERLY PROTECT FROM DAMAGE AND TO KEEP CONNECTIONS & INTERNALS CLEAN & DRY DURING STORAGE & SHIPPING.
3. FLANGES INSTALLED IN THE SHELL WILL BE INSTALLED W/BOLT HOLES STRADDLING THE TANKS VERTICAL OR HORIZONTAL CENTER LINE. FLANGES INSTALLED IN THE HEADS WILL BE INSTALLED W/BOLT HOLES STRADDLING THE 0°-180° & 90°-270° CENTER LINES.
4. FACTORY TEST TANK FOR LEAKS WITH LEAK TEST BY AIR PRESSURE. APPLY AIR PRESSURE IN TANK TO 1 1/2 PSI. HOLD PRESSURE AND APPLY SEAM TEST SOLUTION TO EACH WELD TO ASSURE NO LEAKS ARE PRESENT.
5. ALL DIMENSIONS SHOWN AS NOMINAL (NOM) ARE ± 1-1/2%. ALL OTHER DIMENSIONS ARE ± 1/8" UNLESS OTHERWISE NOTED.
6. BASE THICKNESS IS **NOT** INCLUDED IN NOZZLE AND OVERALL HEIGHT DIMENSIONS.

**COATINGS:**

- INTERIOR:**  
INTERIOR TANK SURFACES SHALL BE CLEANED FREE OF RUST, SLAG, & ALL OTHER FOREIGN MATTER.
- EXTERIOR:**  
SHELL AND TOP:  
CLEAN SURFACE FREE OF RUST, SLAG, & ALL FOREIGN MATTER.  
1 ct. SHERWIN WILLIAMS FLASH PRIMER.  
1.5-2.0 MILS DFT  
1 ct. SHERWIN WILLIAMS KEM 4000.  
3.0-4.0 MILS DFT  
4.5-6.0 TOTAL MILS DFT  
COLOR: WHITE

DESIGN CONDITIONS	
DESIGN PRESSURE: ATMOS.	EMPTY WEIGHT: 780 LBS
DESIGN TEMP: AMBIENT	NOM. CAPACITY: 1,000 GALLONS
OPERATING PRESSURE: ---	OPER. CAPACITY: ---
OPERATING TEMP: ---	RADIOGRAPHIC TEST: ---
EXTERNAL PRES: ---	CORROSION ALLOWANCE: ---
M.D.M.T: ---	SEISMIC: ---
CONTENTS: ---	WIND: ---
SPECIFIC GRAVITY: ---	MFG SPEC: PALMER MFG.
<b>Palmer</b> MFG. & TANK INC.	
TANK NAME: STSSF 48" X 11'-0" FUEL TANK	DATE: 3/12/2020
	DRAWN BY: J.K.
	CHECKED BY: J.A.A.
	SERIAL NUMBER:
	S.O. NUMBER:
	PART NUMBER: 341725
	DRAWING NUMBER: STSSF 48-11-1
	REV. 0
4'-0" X 11'-0" STEEL TANK	
SHEET: 1 OF 7	

REV	DESCRIPTION	CHK BY	DATE	DWG BY
0	UPDATED TO CURRENT PALMER SPEC	B.L.	3/12/2020	JAA

**REVISION HISTORY**